

VISUAL

TOUCHSCREEN OPERATOR PANELS
WITH TFT LCD 4,3" / 7" DISPLAY



VISUAL

TOUCHSCREEN OPERATOR PANELS WITH TFT LCD 4,3" / 7" DISPLAY

VISUAL touchscreen Operator Panels are suitable to satisfy a wide range of applications from small automation to control of complex industrial processes.

With 4,3" and 7" widescreen format display they allow the visualization of more information than a traditional display, while ensuring external compact dimension.

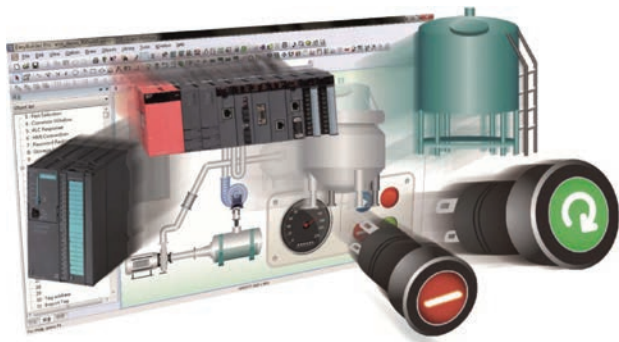
HMI **VISUAL** screens can be freely horizontally or vertically oriented, depending on the needs of the application. TFT displays support up to 16 million colors with high resolution and LED backlighting.

VISUAL operator terminals are designed to be installed in the harshest environmental conditions thanks to IP65 front protection. The **VISUAL** Series is customizable through the design toolkit "EasyBuilder" provided with a powerful and simple user interface.

Through Ethernet and RS232 / RS485 communication interfaces, with protocol support MODBUS RTU / TCP-IP, the HMI operator terminals are matchable to the most common industrial controllers and other supervisory and automation systems.



SOFTWARE



EasyBuilder 8000 is a development environment for VISUAL1 and VISUAL2 operator panels including an editor that ensures advanced functions:

- Supports up to 8 different languages
- Windows and Unicode fonts supported
- Text library with CSV file supported
- BMP, JPG, GIF and animated GIF pics management
- Up to 7 password levels
- Log events and alarms powerful management
- On-Line simulator
- Ethernet Pass Through function for PLC internet connected programming

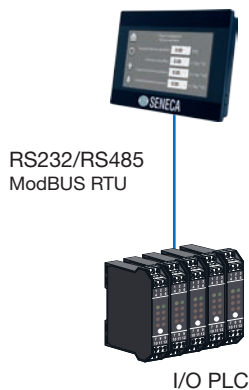


EASY BUILDER PRO is a development environment designed to take full advantage of VISUAL3 and VISUAL4 operator panels features. The editor includes all EasyBuilder 8000 features and in addition provides advanced functions:

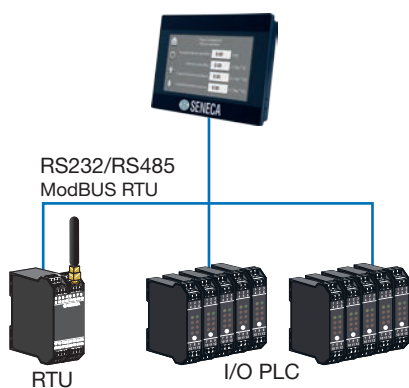
- Advanced support for user account (up to 14 access levels and 128 user accounts)
- Support for temporary user through USB Security Key
- Support for user Macro Library
- EasyWatch function helping remote monitoring and debugging
- Recipe database

CONNECTION EXAMPLES

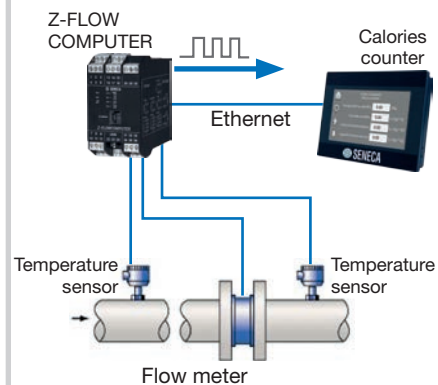
SERIAL COMMUNICATION



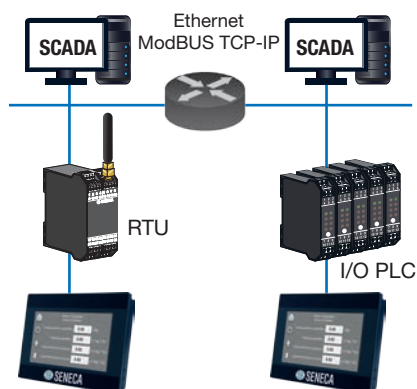
DISTRIBUTED SERIAL NETWORK



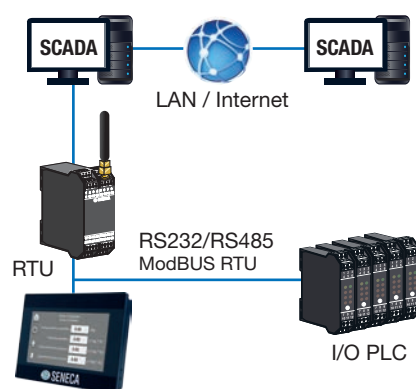
FLOW COMPUTER HMI



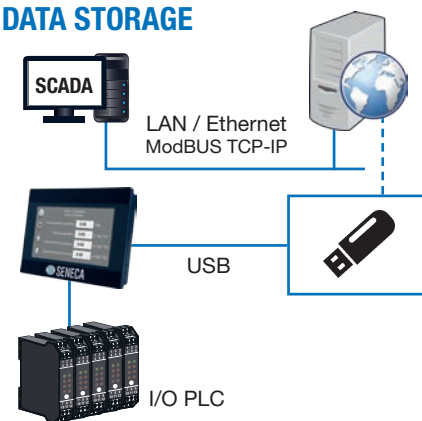
ETHERNET



REMOTE CONTROL



DATA STORAGE



VISUAL TOUCHSCREEN OPERATOR PANELS WITH TFT LCD 4,3" / 7" DISPLAY

TECHNICAL DATA

VISUAL1



4,3" HMI color widescreen panel touchscreen

VISUAL2



7" HMI color widescreen panel touchscreen

VISUAL3



4,3" HMI color widescreen panel touchscreen with Ethernet interface

VISUAL4



7" HMI color widescreen panel touchscreen with Ethernet interface

DISPLAY				
Dimension	4.3" TFT LCD	7" TFT LCD	4,3 " TFT LCD	7" TFT LCD
Resolution	480x272	800x480	480x272	800x480
Brightness	500 cd/m2	350 cd/m2	500 cd/m2	350 cd/m2
Contrast	500:1	500:1	500:1	500:1
Backlit	LED, > 30.000 hours	LED, > 30.000 hours	LED, > 30.000 hours	LED, > 30.000 hours
Colors	65536	65536	16 million	16 million
Touchscreen	4 wires, resistive	4 wires, resistive	4 wires, resistive	4 wires, resistive
Accuracy	±2%	±2%	±2%	±2%
CONNECTIONS				
USB	Nr 1 USB Client 2.0	Nr 1 USB Host 1.1; Nr1 USB Client 2.0	Nr 1 USB Host 2.0	Nr1 USB Host 2.0
Ethernet	-	-	Nr 1 Ethernet 10/100BaseT - RJ45	N°1 Ethernet 10/100BaseT - RJ45
Serial	Nr 1 RS232/RS485	Nr 1 RS232/RS485	Nr 1 RS232/RS485	Nr 1 RS232/RS485
GENERAL DATA				
Storage Memory	128 MB	128 MB	128 MB	128 MB
RAM	64 MB	64 MB	128 MB	128 MB
Processor	32 bit RISC 400 MHz	32 bit RISC 400 MHz	32 bit RISC Cortex A8 600 MHz	32 bit RISC Cortex A8 600 MHz
RTC	Built-in	Built-in	Built-in	Built-in
Power Supply	24 Vdc	24 Vdc	24 Vdc	24 Vdc
Power consumption	250 mA @ 24 Vdc	350 mA @ 24 Vdc	300 mA @ 24 Vdc	350 mA @ 24 Vdc
Case, dimension	Plastic, 128 x102 x 32 mm	Plastic, 200,4 x146,5 x 34 mm	Plastica, 128x102x32 mm	Plastic, 200.3x146.3x34 mm
Weight	250 g	520 g	250 g	600 g
Operating temperature	-20..+60°C	-20..+60°C	-20..+60°C	-20..+60°C
Protection Degree	NEMA4 / IP65	NEMA4 / IP65	NEMA4 / IP65	NEMA4 / IP65
Certification	CE	CE	CE, UL	CE
Norms	EN 55022, EN 55024, EN 61000-3-2, EN 61000-3-3, AS/NZS CISPR22	EN 55022, EN 55024, EN 61000-3-2, EN 61000-3-3, AS/NZS CISPR22	EN 55022, EN 55024, EN 61000-3-2, EN 61000-3-3, AS/NZS CISPR22	EN 55022, EN 55024, EN 61000-3-2, EN 61000-3-3, AS/NZS CISPR22
SETTINGS				
Programming Toolkit	EASY BUILDER 8000	EASY BUILDER 8000	EASY BUILDER PRO	EASY BUILDER PRO

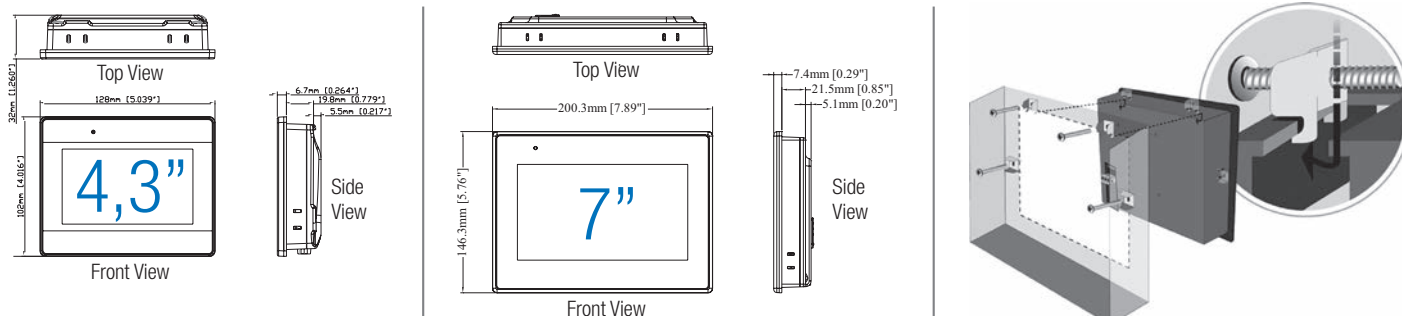
ORDER CODE

Code	Description
VISUAL1	4,3" Operator Panel, 480x272, RISC 400 MHz, TFT 65535 colors, Nr.1 RS232/RS485, Nr.1 USB client 2.0, RTC
VISUAL2	7" Operator Panel, 800x480, RISC 400 MHz, TFT 65535 colors, Nr.1 RS232/RS485, Nr.1 USB Host 1.1, Nr.1 USB Client 2.0, RTC
VISUAL3	4,3" Operator Panel, 480x272, ARM 600 MHz, TFT 16 million colors, RAM 128 MB, Nr.1 USB host 2.0, Nr.1 RS232/RS485, Nr.1 Ethernet
VISUAL4	7" Operator Panel, 800x480, ARM 600 MHz, TFT 16 million colors, RAM 128 MB, Nr.1 USB host 2.0, Nr.1 RS232/RS485, Nr.1 Ethernet

ACCESSORIES & SOFTWARE

CS-DB9F-TIP-V	RS485 serial cable (DB9F / tips) for VISUAL1/2/3 operator panels connection
CS-DB9M-TIP-V	RS485 serial cable (DB9M / tips) for VISUAL4 operator panel connection
CE-RJ45-RJ45-R	Ethernet cable (RJ45 / RJ45) for VISUAL3/4 operator panel connection
EB 8000	VISUAL1/2 operator panels configuration software
EB PRO	VISUAL3/4 operator panels configuration software

DISPLAY DIMENSION AND MOUNTING



Via Austria, 26 • 35127 Padova - (I)
Tel. +39 049 87.05.359 • Fax +39 049 87.06.287
www.seneca.it • info@seneca.it

The material in this document is for information only and is subject to change without notice. While reasonable efforts have been made in the preparation of this document to assure its accuracy, SENECA assumes no liability resulting from errors or omissions, or from the use of the information contained herein. Reproduction is forbidden unless authorized.